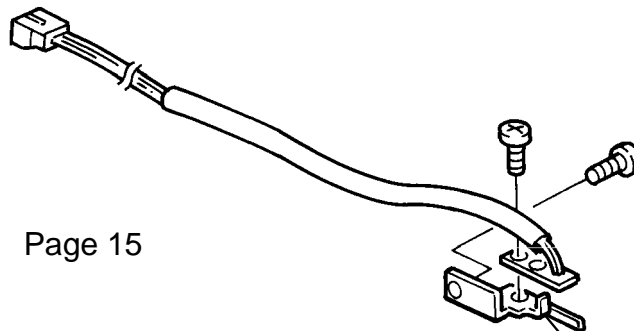


| | | | | |
|--------------------------------|--|----------------|-----------------------------|----------------------|
| Model | DH100 | Volt/Hz | Date of Modification | Serial Number |
| Modified Article | Separation Belt - 9pcs/set and Bracket - Upper Original Sensor | | | |
| Reason for Modification | As per field request | | | |
| | | | | |
| | | | | |

As per field request, the following parts have been registered as a service part. The single separation belt (VFA34598) is also still available.

| Part Number | Description | Index No. | Page |
|-------------|---------------------------------|-----------|------|
| A9389527 | Separation Belt - 9pcs/set | 46 | 15 |
| VFE60043 | Bracket - Upper Original Sensor | *48 | 15 |

* New Index



Page 15

#48
P/N VFE60043

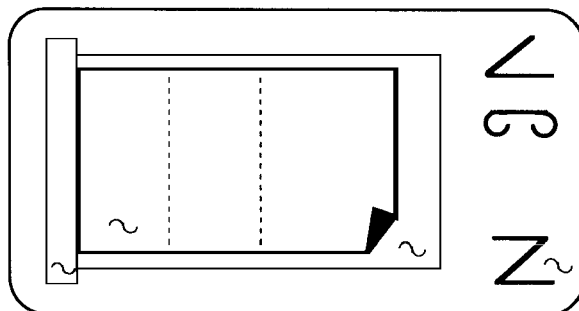
T. Ito, Manager
Copier Technical Support

| MODEL NAME | V/Hz | DESTINATION | CODE | SERIAL NUMBER |
|---------------|-------------|-----------------|---------|---------------|
| SAVIN 7500RDF | 115/60 | USA, CANADA | A938-15 | |
| NASHUA RDF715 | 115/60 | S. AMERICA etc. | A938-16 | |
| RICOH DH100 | 115/60 | USA, CANADA | A938-17 | |
| NASHUA RDF715 | 220, 240/60 | EUROPE | A938-25 | |
| KALLE DH I | 220, 240/50 | EUROPE | A938-26 | |
| RICOH DH100 | 220, 240/50 | EUROPE etc. | A938-27 | |

| | | | | |
|--------------------------------|------------------------|----------------|-----------------------------|----------------------|
| Model | RDH for F30/31, F33 | Volt/Hz | Date of Modification | Serial Number |
| Modified Article | Decal - Instruction 2t | | | |
| Reason for Modification | As per field request | | | |
| | | | | |
| | | | | |

As per field request the decal - instruction 2 has been registered as a service parts.

| P/N | Description | Index No. | Page |
|----------|--------------------------------|-----------|------|
| VFS08058 | Decal - Instruction 2 - Ricoh | *42 | 5 |
| VFS08223 | Decal - Instruction 2 - SAVIN | *42 | 5 |
| VFS08224 | Decal - Instruction 2 - NASHUA | *42 | 5 |
| VFS08225 | Decal - Instruction 2 -INFOTEC | *42 | 5 |



#42

T .Ito, Manager
Copier Technical Support

| MODEL NAME | V/Hz | DESTINATION | CODE | SERIAL NUMBER |
|---------------|------------|-----------------|---------|---------------|
| SAVIN 7500RDF | 115/60 | USA, CANADA | A938-15 | |
| NASHUA RDF715 | 115/60 | S. AMERICA etc. | A938-16 | |
| RICOH DH100 | 115/60 | USA, CANADA | A938-17 | |
| NASHUA RDF715 | 220,240/50 | EUROPE | A938-25 | |
| KALL DH I | 220,240/50 | EUROPE | A938-26 | |
| RICOH DH100 | 220,240/50 | EUROPE etc. | A938-27 | |

| | | | | |
|--------------------------------|--------------------------|----------------|-----------------------------|----------------------|
| Model | RDH for F30/31, F33 | Volt/Hz | Date of Modification | Serial Number |
| Modified Article | Parts Catalog | | | |
| Reason for Modification | Parts catalog correction | | | |
| | | | | |
| | | | | |

Please correct your parts catalog as follows:

1. Correction

| Incorrect P/N | Correct P/N | Description | Q'ty | Index No. | Page |
|---------------|-------------|----------------|------|-----------|------|
| VFA42403 | VFA34606 | Feed-out Guide | 1 | 45 | 15 |

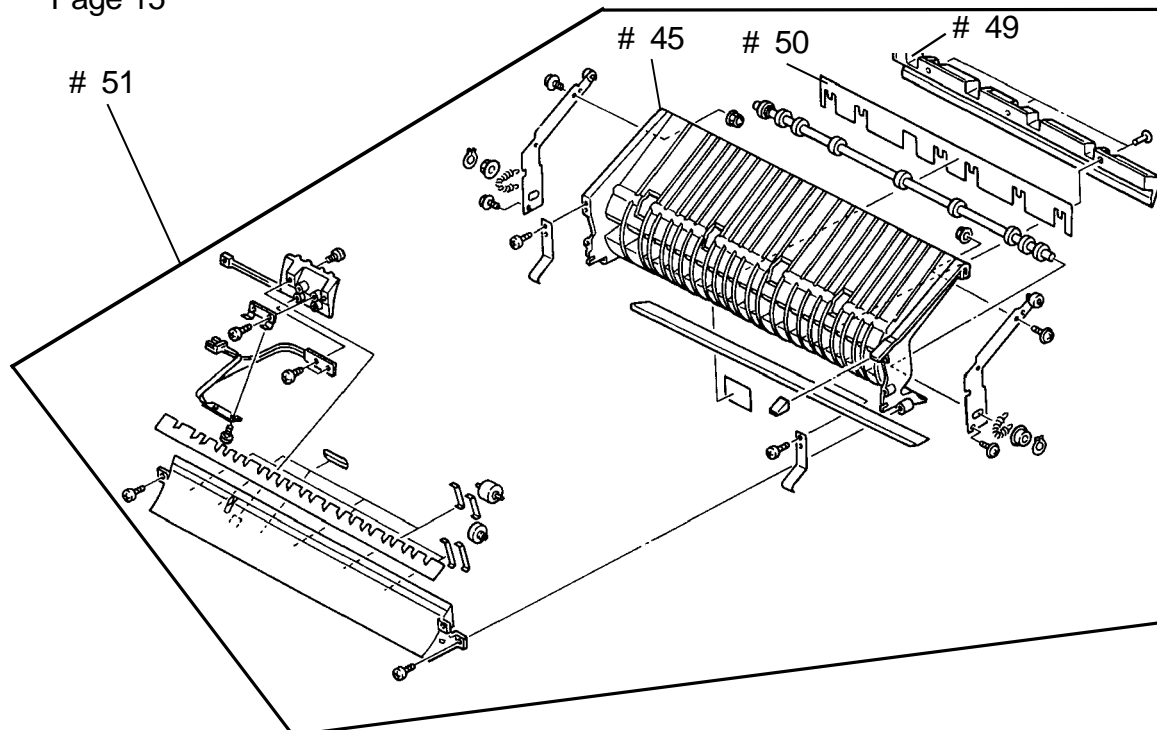
| | P/N | Description | Q'ty | Index No. | Page |
|-----------|----------|----------------------|------|-----------|------|
| Incorrect | VFA34674 | Feed-in Sensor Plate | 1 | 40 | 7 |
| Correct | VFE60101 | Sensor Plate | 1 | 40 | 7 |

DETAILS OF MODIFIACATION

2. Addition

| P/N | Description | Q'ty | Index No. | Page |
|----------|------------------------|------|-----------|------|
| VFA42403 | Feed-in Guide | 1 | * 49 | 15 |
| VFA34610 | Feed-in Guide Myler | 1 | * 50 | 15 |
| VFG13764 | Paper Feed Guide Ass'y | 1 | * 51 | 15 |

Page 15



T. Ito, Manager
Copier Technical Support

| MODEL NAME | V/Hz | DESTINATION | CODE | SERIAL NUMBER |
|---------------|------------|-----------------|---------|---------------|
| SAVIN 7500RDF | 115/60 | USA, CANADA | A938-15 | |
| NASHUA RDF715 | 115/60 | S. AMERICA etc. | A938-16 | |
| RICOH DH100 | 115/60 | USA, CANADA | A938-17 | |
| NASHUA RDF715 | 220,240/50 | EUROPE | A938-25 | |
| KALL DH I | 220,240/50 | EUROPE | A938-26 | |
| RICOH DH100 | 220,240/50 | EUROPE etc. | A938-27 | |